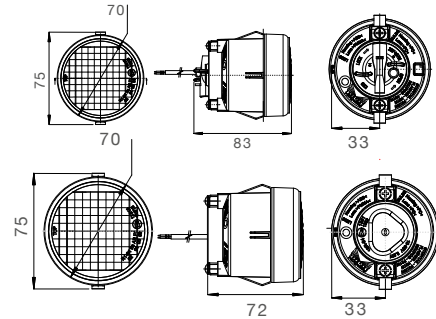




ROUNDPOINT II

ADR Zone 2 IP 6K9K

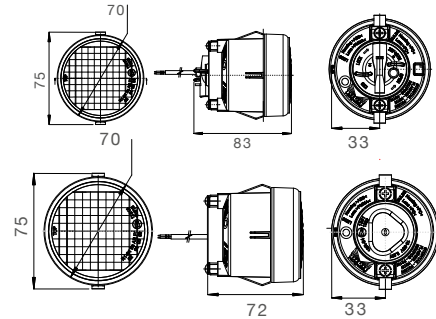


BEST. NR PART NO	☐	←	→	💡	⚡ V	🔍	ZUSATZ	ANSCHLUSS
							ADD ON	CONNECTOR
31-7600-001	1/-	●	●	💡	12V	🔍	↔	offenes Ende open end 1,80 m ⤴
32-7600-001	1/-	●	●	💡	12V	🔍	↔ (S)	offenes Ende open end 1,80 m ⤴
37-7600-001	1/-	●	●	💡	12V	🔍	⊕	offenes Ende open end 1,80 m ⤴
38-7600-001	1/-	●	●	💡	12V	🔍	⊖	offenes Ende open end 1,80 m ⤴

ROUNDPOINT II LED

ZUBEHÖR / ACCESSORIES

ADR Zone 2 IP 6K9K



BEST. NR	Box	←	→	LED	12V 24V	Light Type	ZUSATZ ADD ON	ANSCHLUSS CONNECTOR
31-7600-701	1/-	●	●	LED	12V 24V	Yellow lens	↔	offenes Ende open end 1,80 m
32-7600-701	1/-	●	●	LED	12V 24V	Red lens	↔ (with symbol)	offenes Ende open end 1,80 m
37-7600-701	1/-	●	●	LED	12V 24V	Red lens	⊕	offenes Ende open end 1,80 m
38-7600-701	1/-	●	●	LED	12V 24V	Clear lens	⊕	offenes Ende open end 1,80 m

ZUBEHÖR / ACCESSORIES

1 Lichtscheibe inklusive Gehäuse | lens including housing

- (a) 21-7600-001
- (b) 22-7600-001
- (c) 27-7600-001
- (d) 28-7600-001

Glühlampe | bulb

- 12V 21W, BA15s 16-6121-017
- 12V 21W / 5W 16-6122-017

