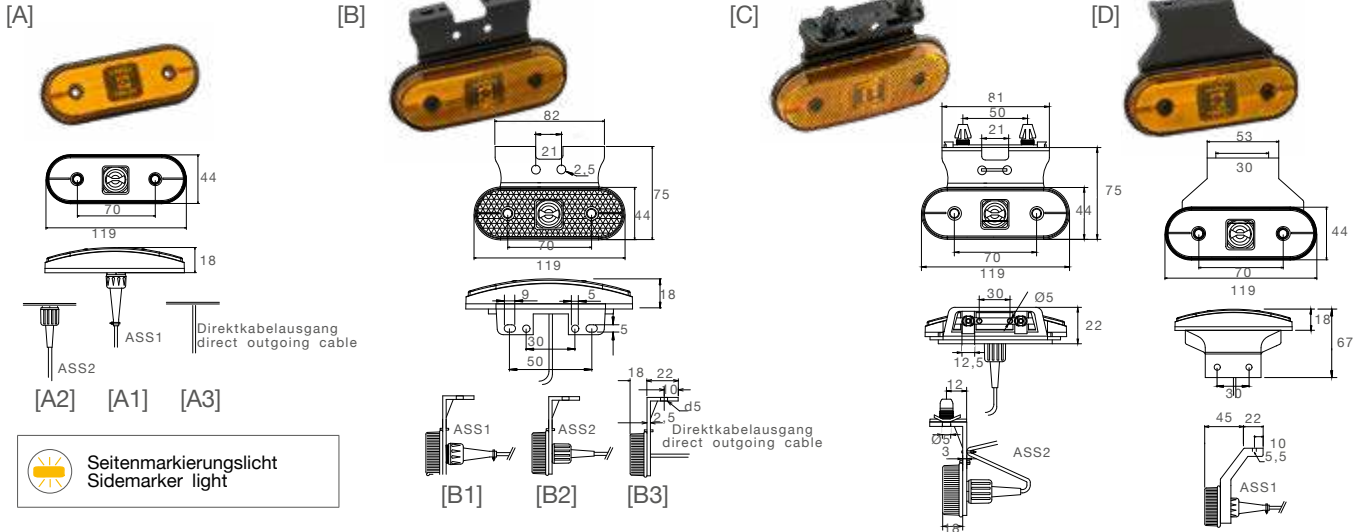




UNIPOINT I LED

ADR Zone 2 IP 6K9K



Seitenmarkierungslicht
Sidemarker light

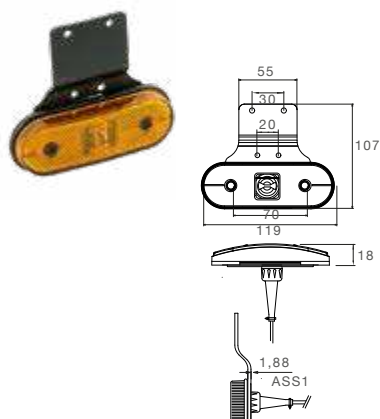
| BEST. NR PART NO | | | | ZUSATZ ADD ON | ANSCHLUSS CONNECTOR | |
|---------------------|-----|-----|-----|------------------|------------------------|-----------------------------------|
| 31-2000-014 | -/- | LED | 24V | [A3] | | offenes Ende open end 0,50 m |
| 31-2000-034 | -/- | LED | 24V | [A3] | | offenes Ende open end 1,50 m |
| 31-2004-014 | 1/- | LED | 24V | [A1] | | P&R 0,50 m |
| 31-2004-034 | 1/- | LED | 24V | [A1] | | P&R 1,50 m |
| 31-2004-044 | 1/- | LED | 24V | [A1] | | P&R 2,00 m |
| 31-2004-074 | -/- | LED | 24V | [A1] | | P&R 2,50 m |
| 31-2007-024 | -/- | LED | 24V | [A2] | | 2 pol. ASS2 2 pin ASS2 1,00 m |
| 31-2007-234 | 1/- | LED | 24V | [A2] | | 3 pol. ASS3 3 pin ASS3 0,50 m |
| 31-2007-244 | 1/- | LED | 24V | [A2] | | 3 pol. ASS3 3 pin ASS3 1,50 m |
| 31-2007-294 | 1/- | LED | 24V | [A2] | | 2 pol. ASS2 2 pin ASS2 2,00 m |
| 31-2007-304 | 1/- | LED | 24V | [A3] | | 3 pol. ASS3 3 pin ASS3 0,50 m |
| 31-2007-334 | 1/- | LED | 24V | [A3] | | 3 pol. ASS3 3 pin ASS3 1,50 m |
| 31-2007-344 | -/- | LED | 24V | [A3] | | 2 pol. ASS2 2 pin ASS2 0,50 m |
| 31-2064-014 | 1/- | LED | 24V | [B1] | | P&R 0,50 m |
| 31-2064-034 | 1/- | LED | 24V | [B1] | | P&R 1,50 m |
| 31-2064-124 | 1/- | LED | 24V | [C] | | P&R 2,00 m |
| 31-2064-214 | 1/- | LED | 24V | [D] | | P&R 0,50 m |



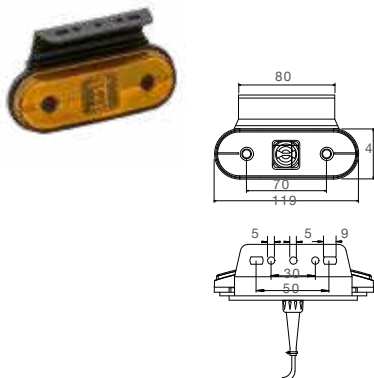
UNIPOINT I LED

ADR Zone 2 IP 6K9K

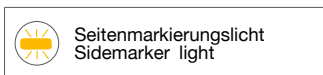
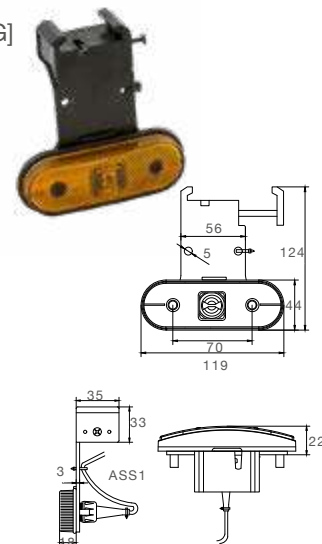
[E]



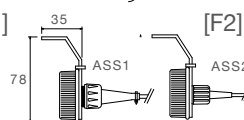
[F]



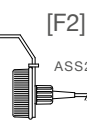
[G]



[F1]



[F2]



| BEST. NR PART NO | | | | ZUSATZ ADD ON | ANSCHLUSS CONNECTOR | |
|---------------------|-----|-----|-----|------------------|---------------------------|--------|
| 31-2064-234 | 1/- | LED | 24V | [D] | P&R | 1,50 m |
| 31-2064-414 | 1/- | LED | 24V | [E] | P&R | 0,50 m |
| 31-2064-434 | 1/- | LED | 24V | [E] | P&R | 1,50 m |
| 31-2064-714 | 1/- | LED | 24V | [F1] | P&R | 0,50 m |
| 31-2064-734 | 1/- | LED | 24V | [F1] | P&R | 1,50 m |
| 31-2064-774 | 1/- | LED | 24V | [G] | P&R | 1,00 m |
| 31-2067-084 | -/- | LED | 24V | [B2] | 2 pol. ASS2 2 pin ASS2 | 1,50 m |
| 31-2067-094 | 1/- | LED | 24V | [B2] | 3 pol. ASS3 3 pin ASS3 | 0,50 m |
| 31-2067-104 | 1/- | LED | 24V | [B2] | 3 pol. ASS3 3 pin ASS3 | 1,50 m |
| 31-2067-694 | -/- | LED | 24V | [F2] | 3 pol. ASS3 3 pin ASS3 | 1,50 m |
| 31-2104-014 | 1/- | LED | 24V | [A3] | P&R | 0,50 m |
| 31-2104-034 | 1/- | LED | 24V | [A3] | P&R | 1,50 m |
| 31-2164-014 | 1/- | LED | 24V | [B3] | P&R | 0,50 m |
| 31-2164-034 | -/- | LED | 24V | [B3] | P&R | 1,50 m |

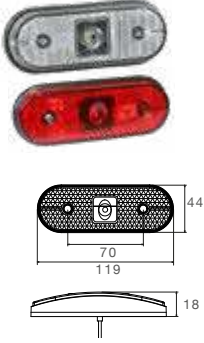




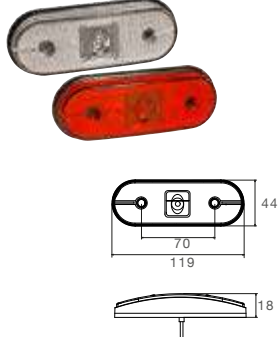
UNIPOINT I LED

ADR Zone 2 IP 6K9K

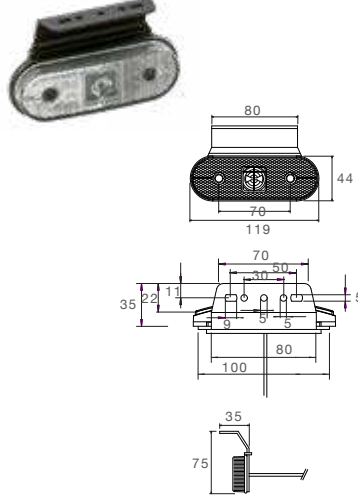
[H]



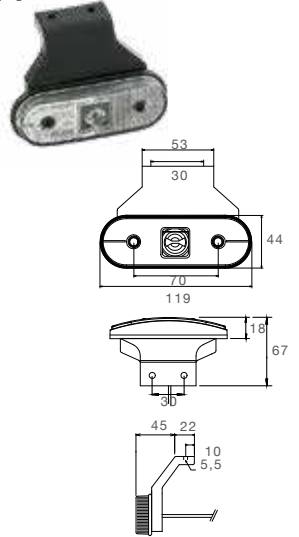
[I]



[J]



[K]

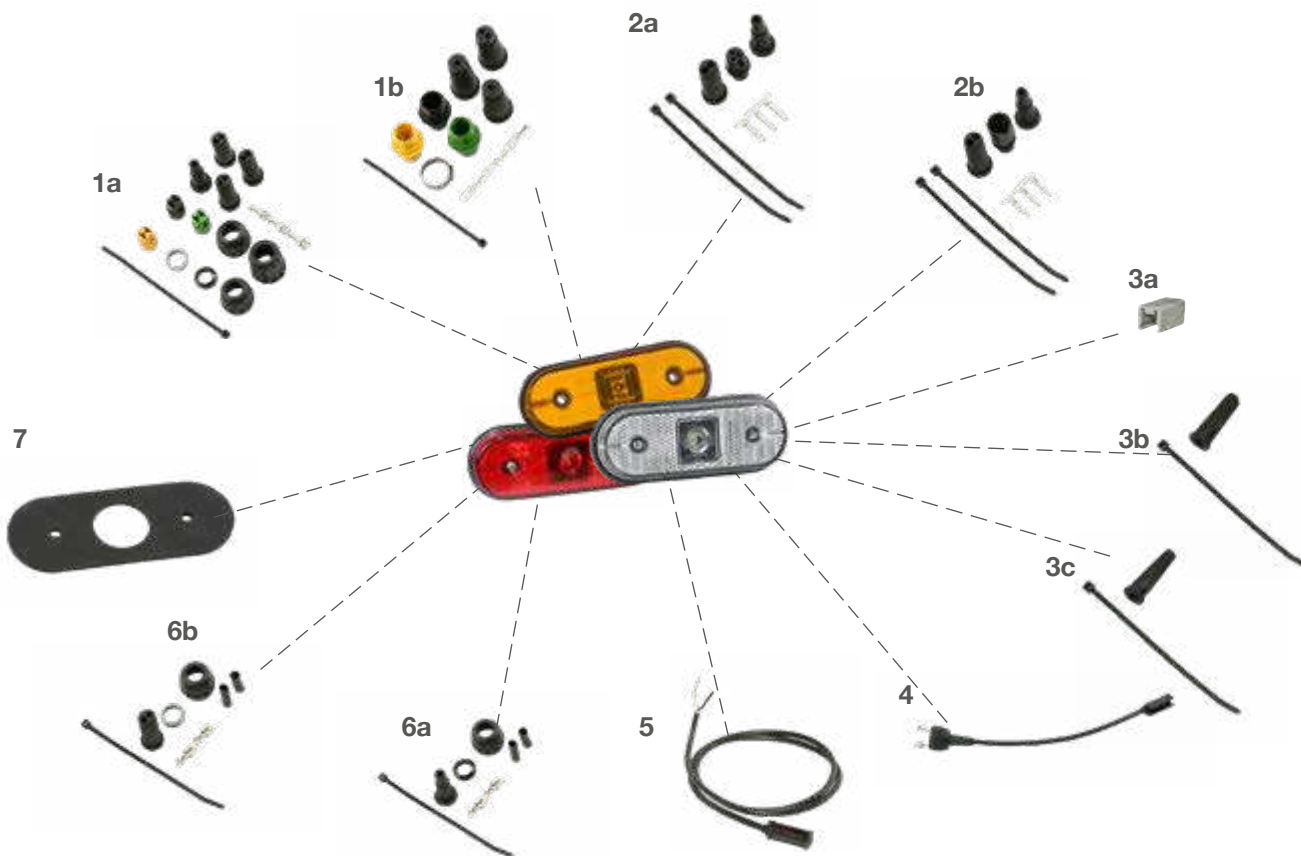


| BEST. NR PART NO | | | | ZUSATZ ADD ON | | | ANSCHLUSS CONNECTOR | | | | | | |
|---------------------|-----|-----|-----|------------------|-----|-----|------------------------|---------------------------|--------|--------|--------|--------|--|
| | | | | [H] | [I] | [J] | [K] | Symbol | Symbol | Symbol | | | |
| 31-7704-014 | 1/- | LED | 24V | [H] | | | | P&R | | | 0,50 m | | |
| 31-7704-034 | 1/- | LED | 24V | [H] | | | | P&R | | | 1,50 m | | |
| 31-7704-054 | 1/- | LED | 24V | [H] | | | | P&R | | | 3,50 m | | |
| 31-7704-094 | 1/- | LED | 24V | [I] | | | | P&R | | | 0,50 m | | |
| 31-7704-124 | 1/- | LED | 24V | [I] | | | | P&R | | | 3,50 m | | |
| 31-7707-034 | 1/- | LED | 24V | [H] | | | | 2 pol. ASS2 2 pin ASS2 | | | | 1,50 m | |
| 31-7707-104 | 1/- | LED | 24V | [H] | | | | 2 pol. ASS3 2 pin ASS3 | | | | 0,50 m | |
| 31-7707-114 | 1/- | LED | 24V | [H] | | | | 2 pol. ASS3 2 pin ASS3 | | | | 1,50 m | |
| 31-7707-214 | -/- | LED | 24V | [H] | | | | 2 pol. ASS2 2 pin ASS2 | | | | 0,50 m | |
| 31-7764-014 | 1/- | LED | 24V | [J] | | | | P&R | | | 0,50 m | | |
| 31-7764-214 | -/- | LED | 24V | [K] | | | | P&R | | | 0,50 m | | |
| 31-7764-234 | -/- | LED | 24V | [K] | | | | P&R | | | 1,50 m | | |
| 31-7804-014 | 1/- | LED | 24V | [H] | | | | P&R | | | 0,50 m | | |
| 31-7804-054 | 1/- | LED | 24V | [H] | | | | P&R | | | 3,50 m | | |
| 31-7804-094 | 1/- | LED | 24V | [I] | | | | P&R | | | 0,50 m | | |
| 31-7804-124 | 1/- | LED | 24V | [I] | | | | P&R | | | 3,50 m | | |
| 31-7804-144 | 1/- | LED | 24V | [H] | | | | P&R | | | 5,00 m | | |



UNIPOINT I LED

ZUBEHÖR / ACCESSORIES



1 ASS1 & ASS2 Verbinder | ASS1 & ASS2 connector

- (a) 2 pol. weiblich
2 pin female 13-5626-401
- (b) 2 pol. männlich
2 pin male 13-5625-991

2 ASS3 Verbinder | ASS3 connector

- (a) 3 pol. weiblich
3 pin female 13-0322-281
- (b) 3 pol. männlich
3 pin male 13-0332-281

3 für P&R Verbinder | for P&R connector

- (a) Verschlusskappen
caps 15-5971-014
- (b) Endkappen rund
end caps round 15-5983-024
- (c) Endkappen eckig
end caps square 15-5729-014

4 Zuleitung mit P&R Verbinder | front connection with P&R connector

- 0,25 m 68-5018-004
- 1,5 m 68-5018-024

5 Anschlusskabel P&R | connection cable P&R

- 0,5 m 68-5000-014
- 1,5 m 68-5000-034

6 Anschluss | connector

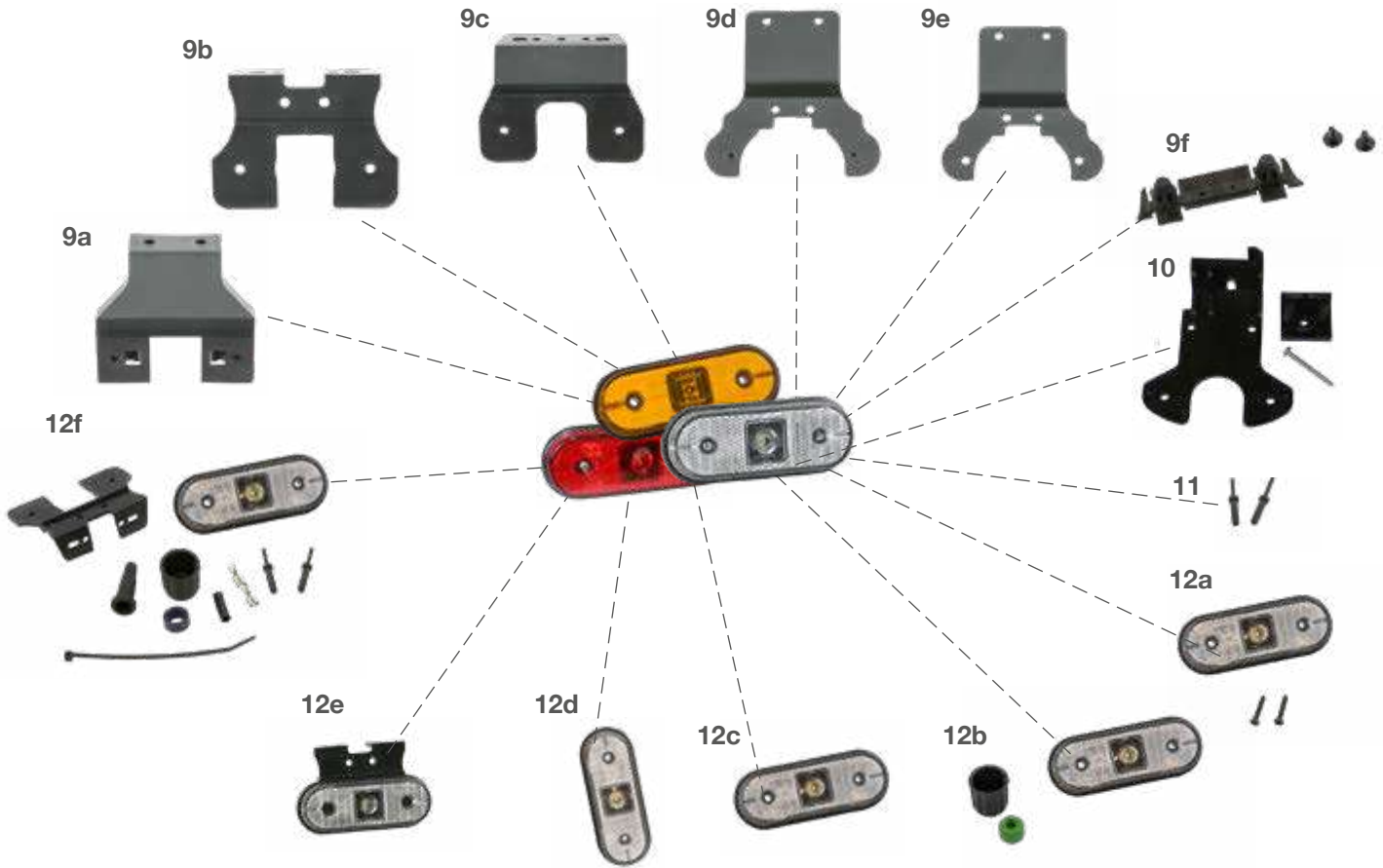
- (a) Einfachtülle (lose)
single grommet (loose) 15-5624-014
- (b) Doppeltülle (lose)
double grommet (loose) 15-5624-024

7 Gummiunterlage | rubber base

- 15-5319-904



UNIPOINT I LED



9 Haltewinkel | bracket

- (a) schräg nach hinten
sloping angle to the back
..... 15-5317-014
- (b) 90° nach hinten
90° to the back
..... 15-5319-004
- (c) schräg nach vorne
sloping to the front
..... 15-5319-304
- (d) Aufhängeteil gekröpft (Anbau mit Schrauben)
crumped bracket (screw mounting)
..... 15-5317-004
- (e) Aufhängeteil gekröpft (Anbau mit Nieten)
crumped bracket (expanding rivet-mounting)
..... 15-5317-024
- (f) Schnellhalter for SML
quick fixation bracket for SML
..... 15-2128-285

10 Verriegelungswinkel | locking bracket

- Verriegelungswinkel
locking angle
..... 15-5322-004

11 Spreizniete | expanding rivet

- 14-15 mm 14-4596-004

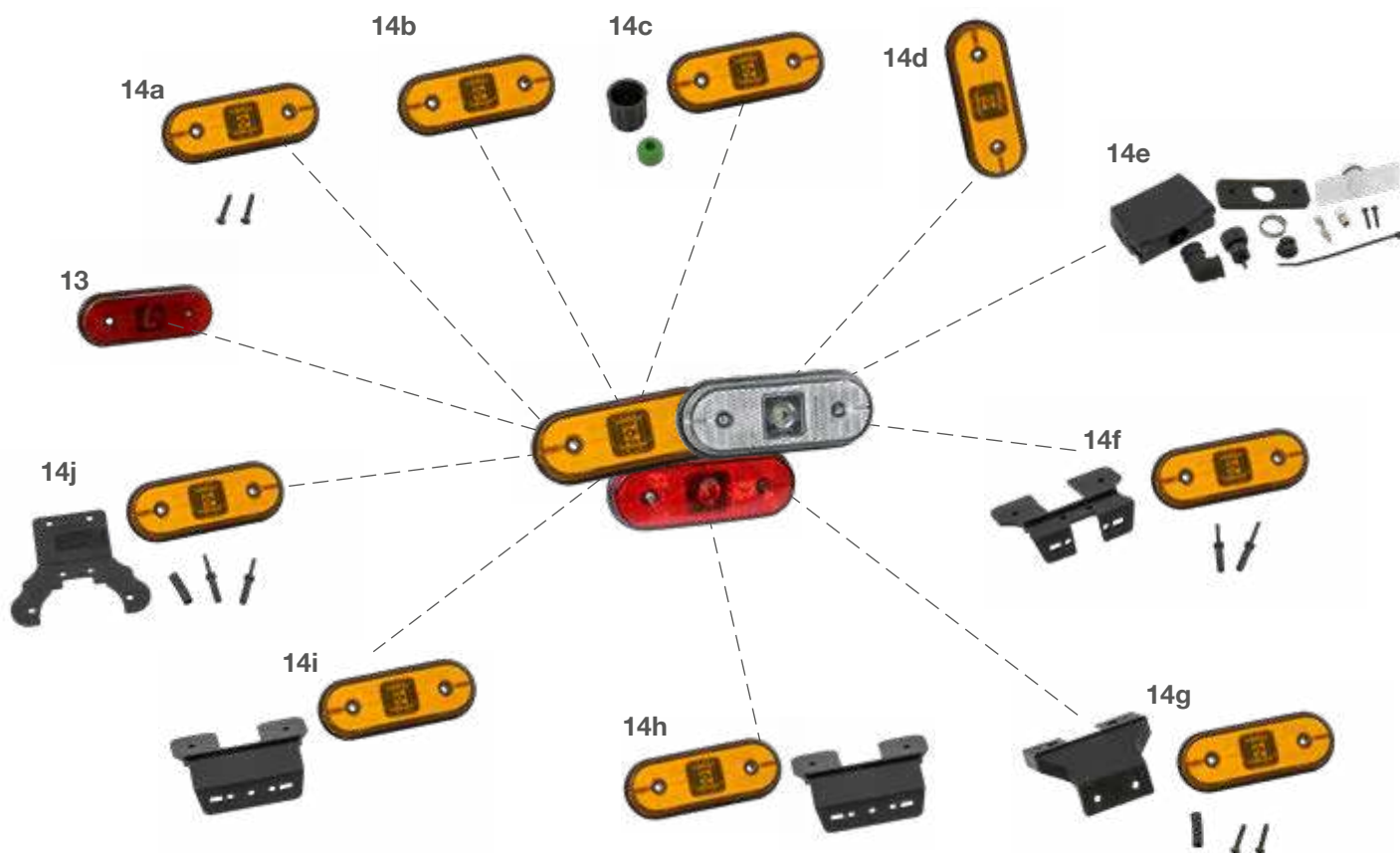
12 Ersatzleuchte weiß ohne Schutzhaube | spare part lamp white without protection cap

- (a) mit Schrauben
with screws 21-7700-004
- (b) geschlossen mit Bajonett-Mutter
closed by bayonet-nut
..... 21-7700-014
- (c) Standard Version
standard version 21-7700-054
- (d) vertikal
vertical 21-7702-014
- (e) mit 90° Haltewinkel nach hinten
with 90° bracket to the back
..... 21-7700-024
- (f) mit 90° Haltewinkel nach hinten
(komplett)
with 90° bracket to the back
(complete)
..... 21-7700-035



UNIPOINT I LED

ZUBEHÖR / ACCESSORIES



13 Ersatzleuchte rot ohne Schutzhaube |
spare part lamp red without protection cap
 mit Schrauben
 with screws 21-7800-004

14 Ersatzleuchte orange ohne Schutzhaube |
spare part lamp orange without protection cap

(a) mit Schrauben
 with screws..... 21-2000-004

(b) ohne Schrauben
 without screws..... 21-2000-154

(c) geschlossen mit Bajonett-Mutter
 closed by bayonet-nut
 21-2000-144

(d) vertikal
 vertical..... 21-2002-004

(e) mit geradem Anschluss für SML mit
 90° Haltewinkel
 with straight connector for SML with
 90° bracket
 21-2000-035

(f) lose mit 90° Haltewinkel
 loose with 90° bracket
 21-2000-014

(g) lose mit schrägem Haltewinkel
 loose with sloping bracket
 21-2000-024

(h) mit flexiblen Haltewinkel
 with flexible bracket
 21-2000-054

(i) mit flexiblen Haltewinkel und
 Schnellhalter
 with flexible bracket and quick-fixation bracket
 21-2000-104

(j) mit Aufhängeteil
 with bracket..... 21-2000-064

